



## SEP1204EB SERIES ~

### High Current SMD Power Inductors



RoHS Compliant

#### PART NUMBERING SYSTEM

<b>SEP</b>	<b>1204EB</b>	—	<b>1R0M</b>	—	<b>LF</b>
TYPE	DIMENSIONS		INDUCTANCE		LEAD FREE

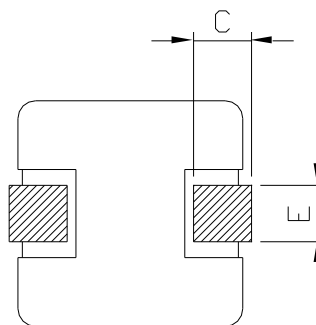
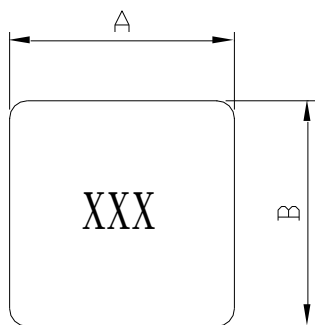
#### SHAPES AND DIMENSIONS :

UNIT : mm



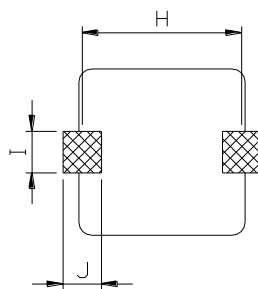
#### FEATURES :

- \* Low profile.
- \* Magnetically shielded low DC resistance .
- \* Suitable for large current application.
- \* Laptop & Notebook computers.
- \* Battery powered equipment.
- \* DC/DC converters.
- \* Digital 、 Cameras 、 Scanners, CD-ROM & DVD.



A=13.5±1.0 B=12.8±0.5 C=2.5 Ref. D=3.5 Max. E=3.8 Ref.

#### RECOMMENDED PATTERNS



H=10.25 I= 5.00 J= 4.25



## SEP1204EB SERIES ~

### High Current SMD Power Inductors



RoHS Compliant

#### SPECIFICATION TABLE

PART NUMBER	INDUCTANCE ( $\mu$ H)	Isat ( A ) (Typ.)	Idc ( A ) ( $\Delta$ t) 40°C (Typ.)	DCR (m $\Omega$ ) (Max.)	DCR (m $\Omega$ ) (Typ.)	Test Freq. (KHz)
SEP1204EB-R10M-LF	0.10 $\pm$ 20%	84	43.0	0.96	0.80	100KHz/1V
SEP1204EB-R15M-LF	0.22 $\pm$ 20%	75	41.0	1.2	1.00	100KHz/1V
SEP1204EB-R22M-LF	0.33 $\pm$ 20%	65	38.5	1.3	1.10	100KHz/1V
SEP1204EB-R33M-LF	0.47 $\pm$ 20%	62	36.5	1.5	1.30	100KHz/1V
SEP1204EB-R47M-LF	0.60 $\pm$ 20%	55	32.0	2.0	1.60	100KHz/1V
SEP1204EB-R60M-LF	0.68 $\pm$ 20%	51	29.0	2.2	1.80	100KHz/1V
SEP1204EB-R68M-LF	0.82 $\pm$ 20%	49	28.0	2.5	2.30	100KHz/1V
SEP1204EB-R82M-LF	0.90 $\pm$ 20%	44	25.0	3.0	2.60	100KHz/1V
SEP1204EB-1R0M-LF	1.00 $\pm$ 20%	40	24.0	3.5	3.30	100KHz/1V
SEP1204EB-1R5M-LF	1.20 $\pm$ 20%	35	19.0	5.5	5.10	100KHz/1V
SEP1204EB-1R8M-LF	1.50 $\pm$ 20%	30	16.5	7.0	6.50	100KHz/1V
SEP1204EB-2R2M-LF	1.80 $\pm$ 20%	29	16.0	8.0	7.20	100KHz/1V
SEP1204EB-3R3M-LF	2.20 $\pm$ 20%	27	12.0	12.0	11.0	100KHz/1V
SEP1204EB-4R7M-LF	3.30 $\pm$ 20%	24	10.0	15.0	14.3	100KHz/1V
SEP1204EB-5R6M-LF	5.60 $\pm$ 20%	19	9.5	19.0	18.3	100KHz/1V
SEP1204EB-6R8M-LF	6.80 $\pm$ 20%	18	9.0	22.0	19.8	100KHz/1V
SEP1204EB-8R2M-LF	8.20 $\pm$ 20%	16	8.5	28.0	24.8	100KHz/1V
SEP1204EB-100M-LF	10.0 $\pm$ 20%	14	7.0	34.0	30.4	100KHz/1V

- Isat : DC current at which the inductance drops 30% (typ) from its value without current.
- Idc : Average current for a 40°C temperature rise above 25°C ambient.
- Operating temperature range -55°C to +125°C.



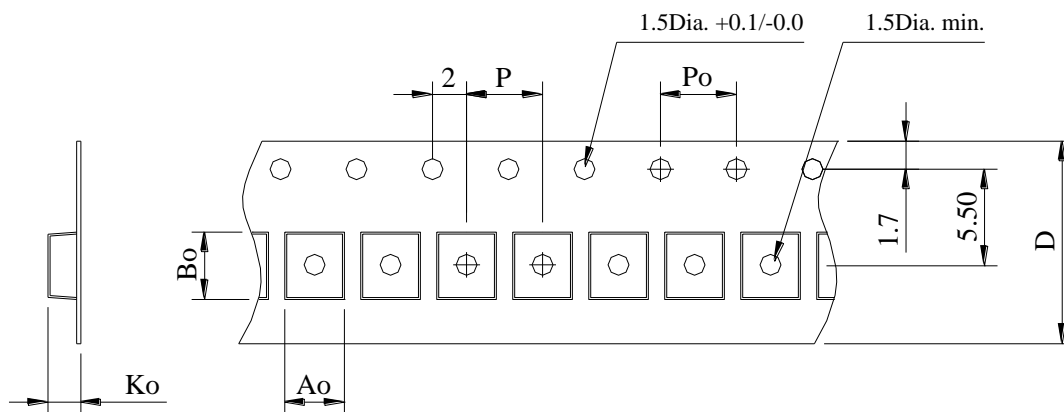
## SEP1204EB SERIES ~

### High Current SMD Power Inductors



RoHS Compliant

#### PACKAGING SPECIFICATION



STAYLE	Q' TY (PCS)	DIMENSIONS (m/m)					
		$A_o$	$B_o$	$K_o$	$P$	$P_o$	$D \pm 0.3$
13"	500	14.2	13.5	4.1	20	4.0	24